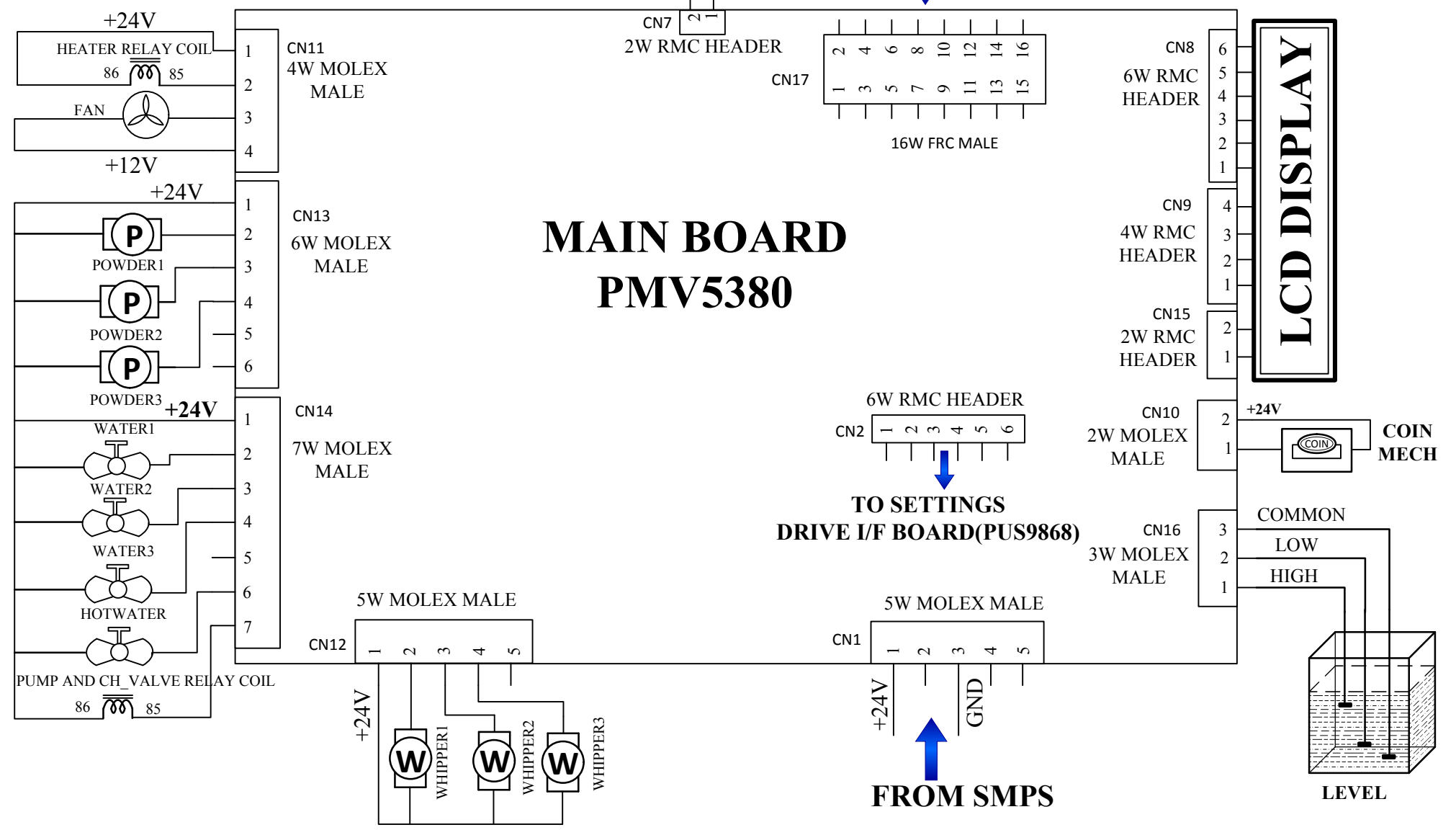


HOT SENSOR FROM KEY BOARD

(PKB9498)

NOTE : RECOMMENDED RELAY VALUE IS
53DP-1A-24D



**MAIN BOARD
PMV5380**

6W RMC HEADER
CN2
TO SETTINGS
DRIVE I/F BOARD(PUS9868)

FROM SMPS



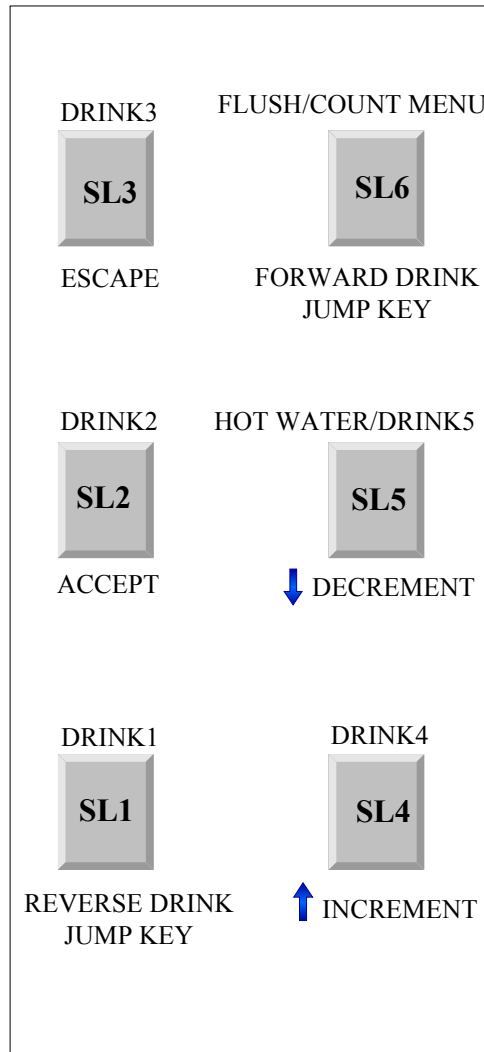
14, SIDCO Industrial Estate,
Thirumudivakkam,
Chennai - 44, India.
www.pulsars.in
PH: +9144 42852190

WIRING DIAGRAM

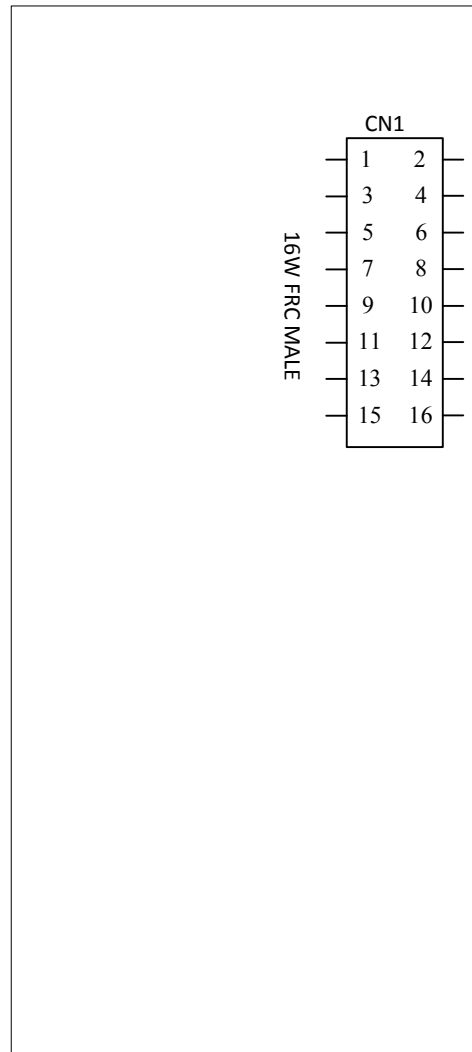
TITLE : 3 SELECTION DC VENDING(ALL LOAD)			Prepared By :	
M.B No. : PMV 5380	B.T : A	REV : 05	SIZE : A4	Verified By :
PAGE : 1 OF 3	DATE : 31/10/2018	Drawn By : K.Sivananthini		Approved By :

KEY BOARD PKB9498

FRONT SIDE



BACK SIDE



**TO MAIN BOARD
(PMV5380)**

NOTE: SETTINGS DRIVE COPY KEY IS “ DRINK1 (SL1)”



14, SIDCO Industrial Estate,
Thirumudivakkam,
Chennai - 44, India.
www.pulsars.in
PH: +9144 42852190

WIRING DIAGRAM

TITLE : 3 SELECTION DC VENDING(ALL LOAD)

Prepared By :

M.B No. : PMV 5380

B.T : A

REV : 05

SIZE : A4

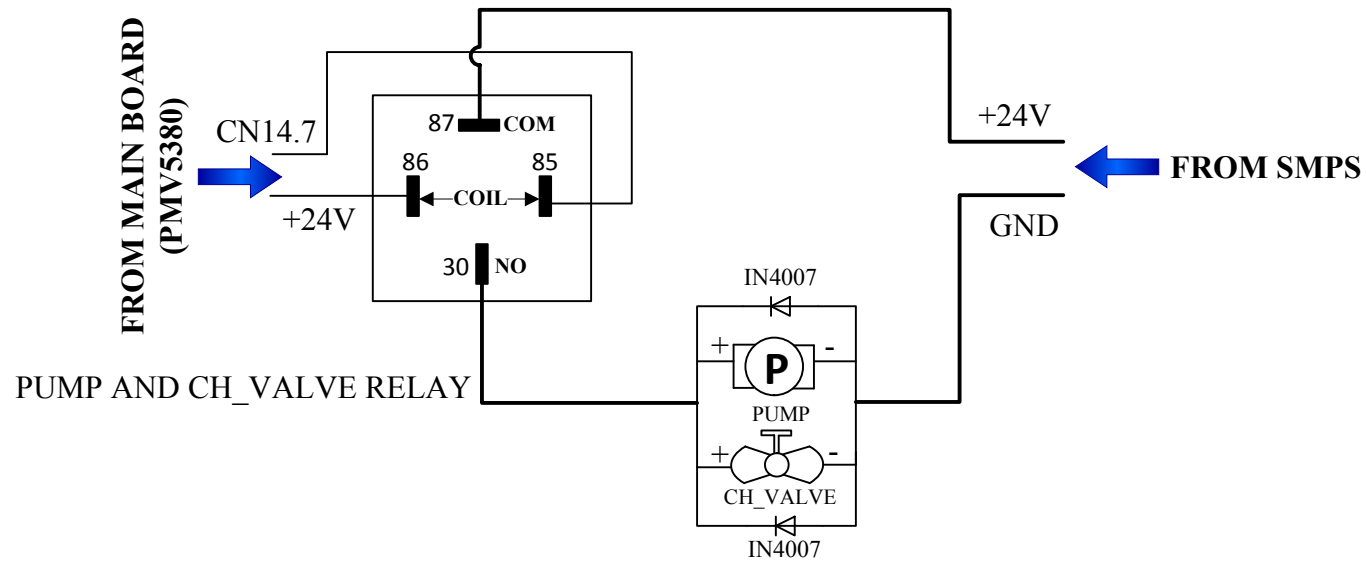
Verified By :

PAGE : 2 OF 3

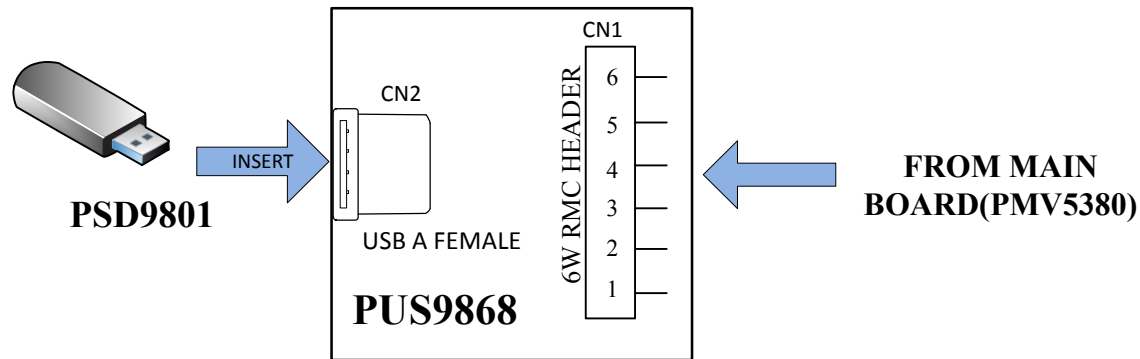
DATE : 31/10/2018

Drawn By : K.Sivananthini

Approved By :



SETTINGS DRIVE INTERFACE BOARD



14, SIDCO Industrial Estate,
Thirumudivakkam,
Chennai - 44, India.
www.pulsars.in
PH: +9144 42852190

WIRING DIAGRAM

TITLE : 3 SELECTION DC VENDING(ALL LOAD)				Prepared By :
M.B No. : PMV 5380	B.T : A	REV : 05	SIZE : A4	Verified By :
PAGE : 3 OF 3	DATE : 31/10/2018	Drawn By : K.Sivananthini	Approved By :	